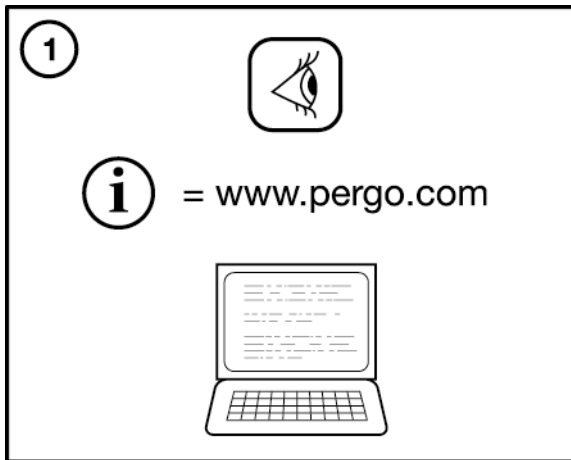
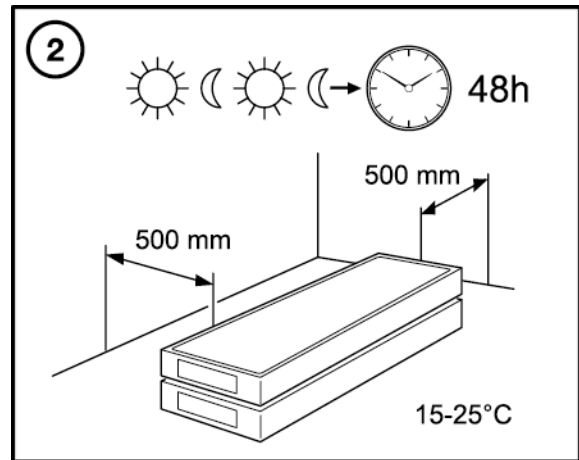


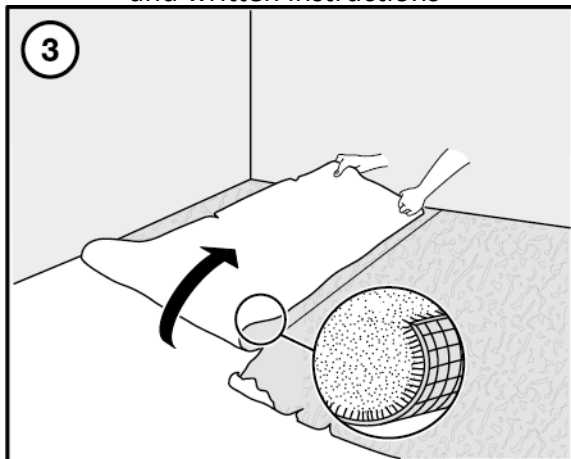
Installation instructions



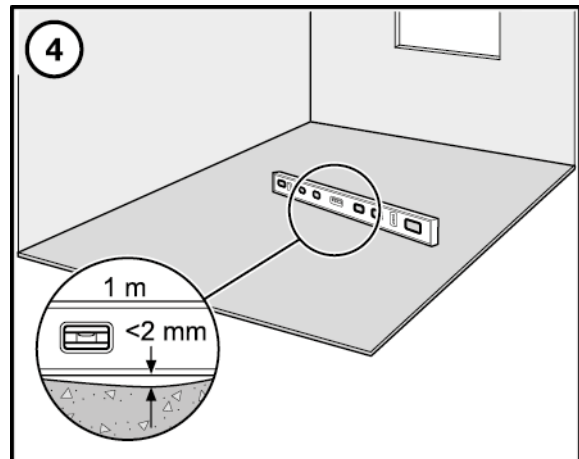
Check website for installation movies and written instructions



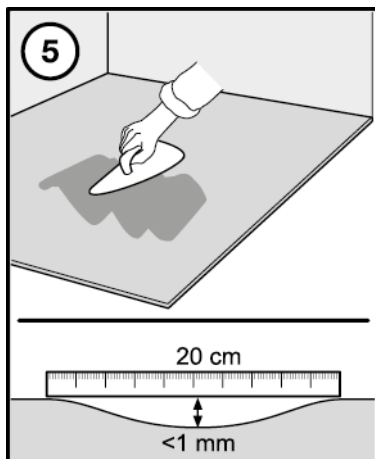
Floor must be acclimatized for 48 hours.



Remove old floor covering



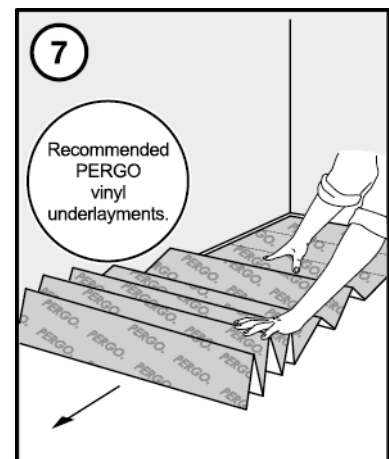
Make sure the floor is level ...



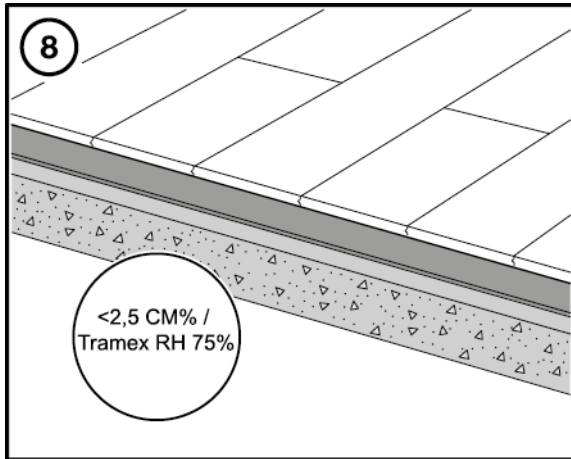
... and level out irregularities if deeper than 1 mm over a length of 20cm.



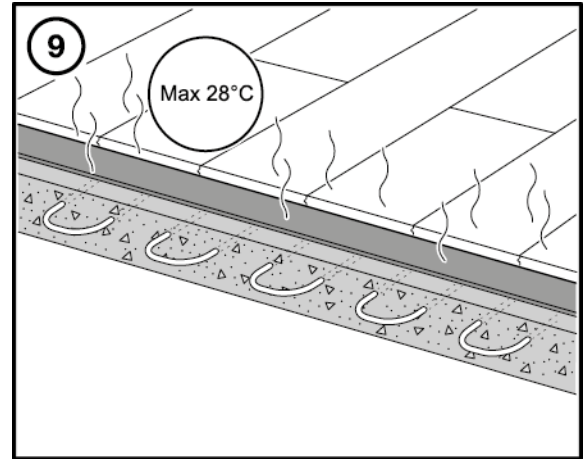
Make sure your floor is dust free prior to installation.



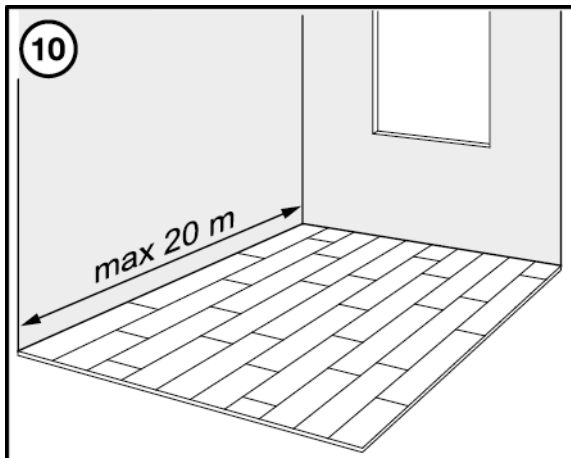
If an underlay is needed, we recommend to use a Pergo or Quick-Step underlay.



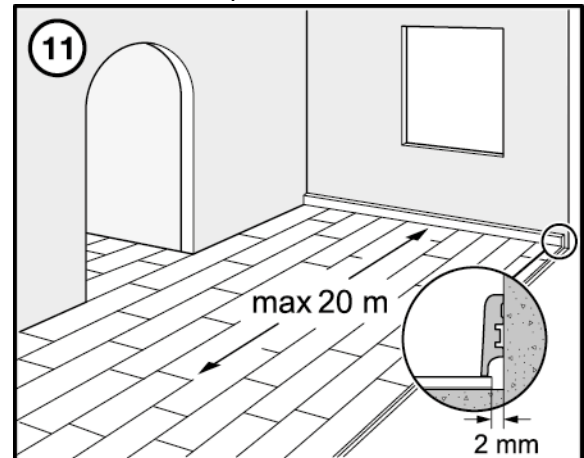
Be sure to check the relative humidity of the floor prior to installation.



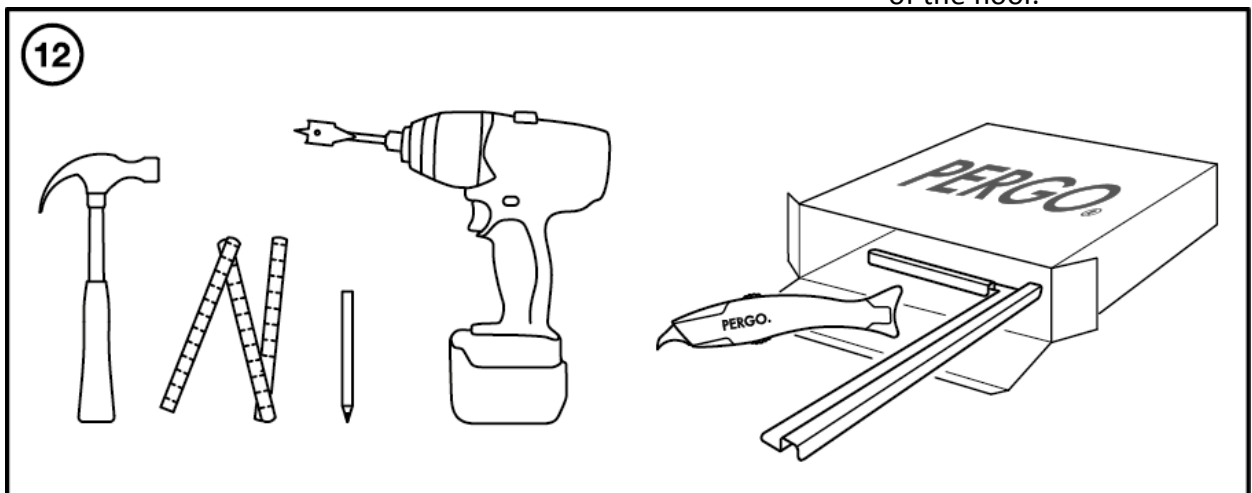
During installation, floor heating should be switched off. After installation, maximum temperature should be 28°C.



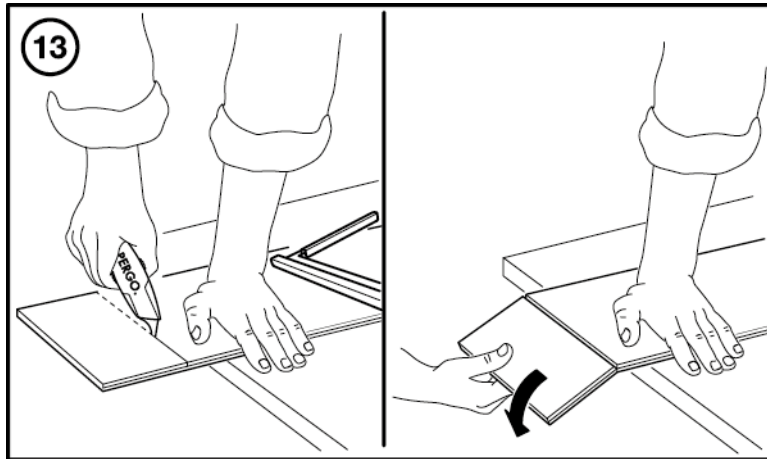
No expansion profiles needed for the first 20m (lengthwise)



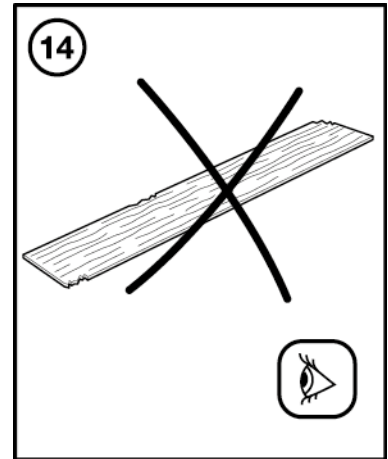
Leave a 2mm gap around the perimeter of the floor.



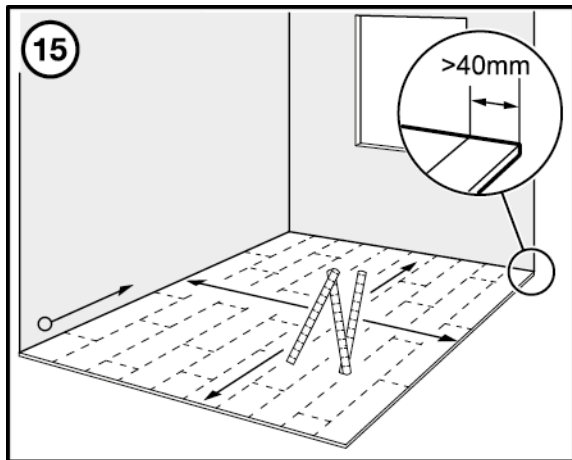
For your safety, we recommend to use the Pergo or Quick-Step installation tools.
ALWAYS WEAR SAFETY GLOVES WHEN CUTTING VINYL!



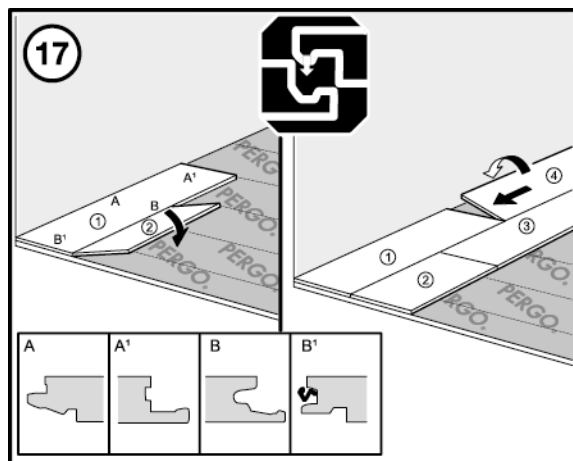
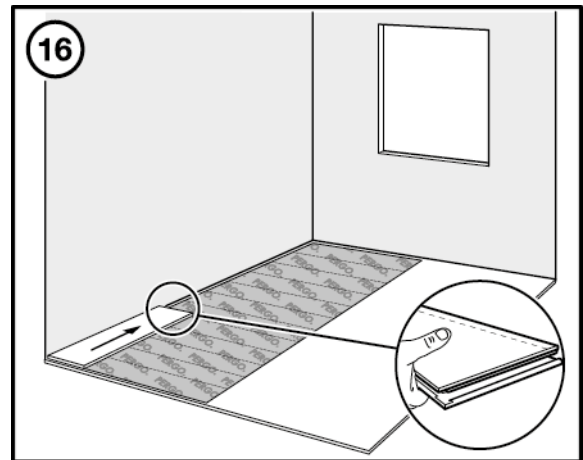
Decor side up



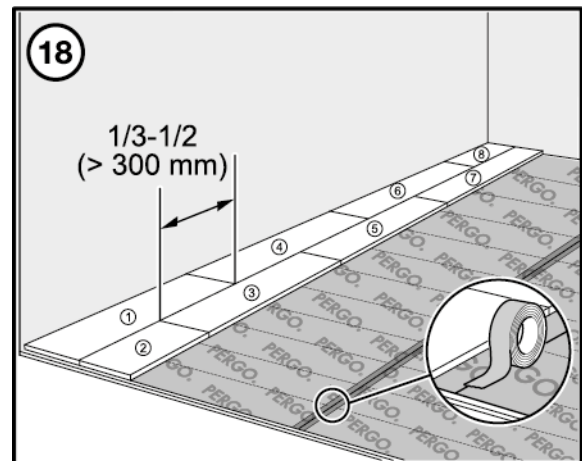
Check for damage on the sides of the planks prior to installation.



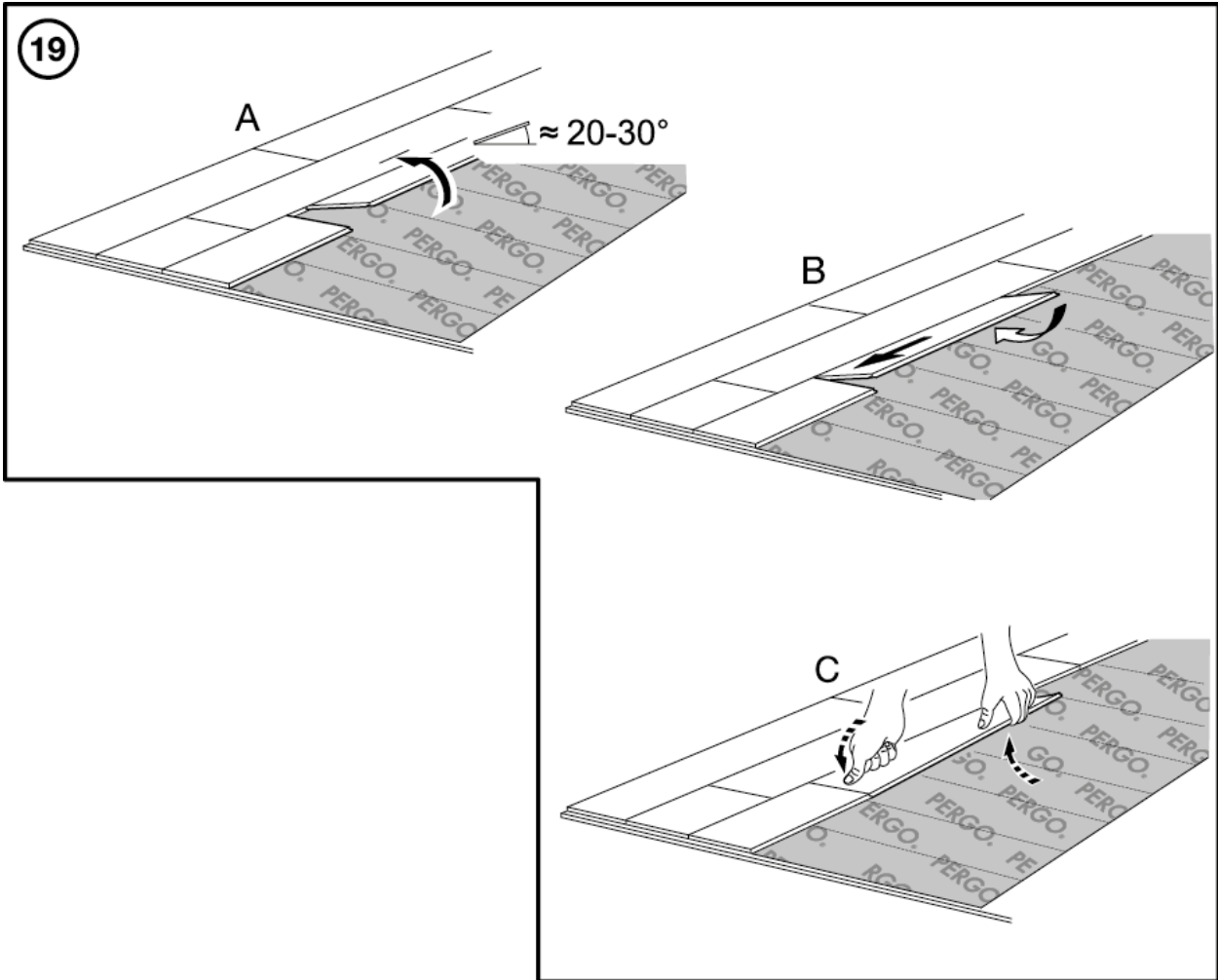
Make sure you do not end up with a final row of less than 40mm.



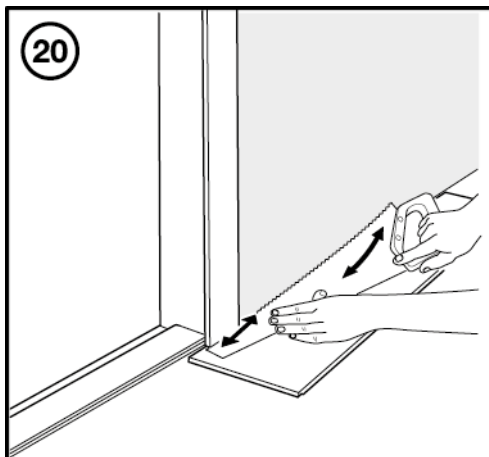
Always install the first two rows together

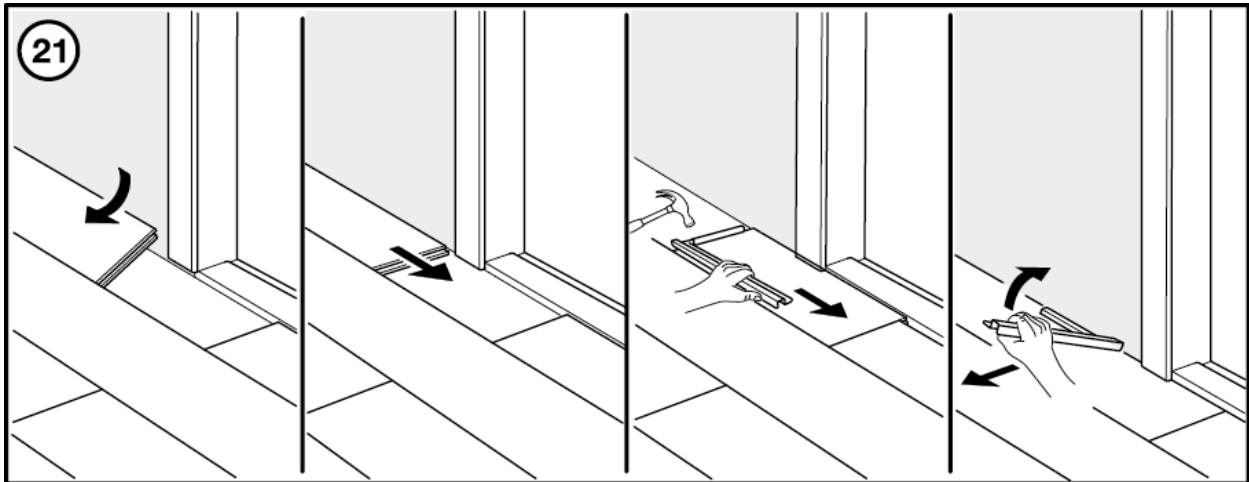


Tape the second row of underlays to the first one.

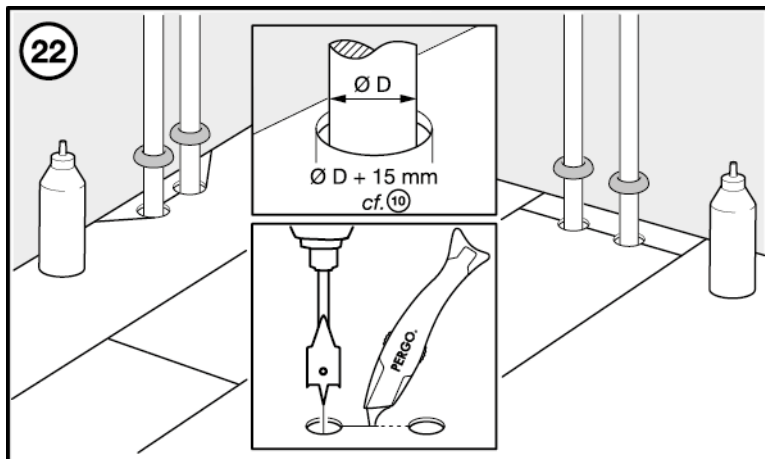


Once the plank is installed, make a thorough check if all corners are perfectly aligned

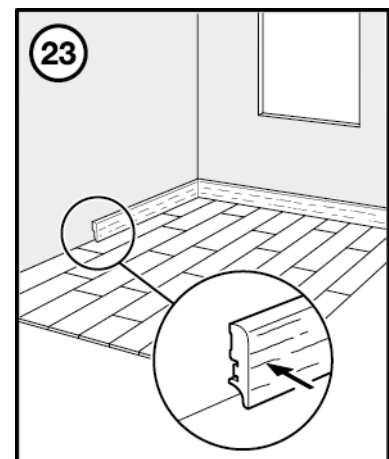




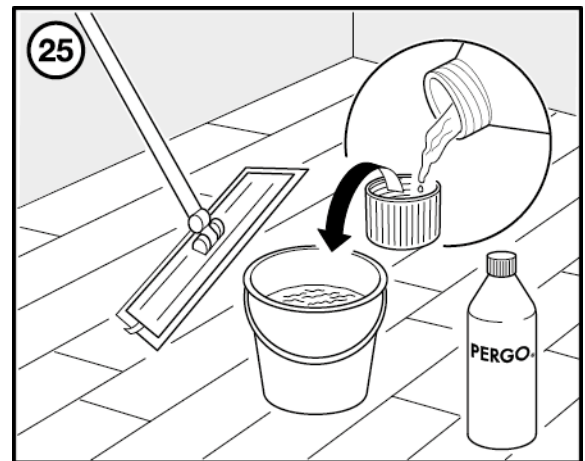
Use the Pergo or Quick-Step installation tool for places that are difficult to reach (horizontal insertion)



Use a drill and Quick-Step or Pergo radiator covers for radiator pipes



Use Quick-Step or Pergo skirtings for a perfect finish



Regular maintenance should be done with the Quick-Step or Pergo cleaning product.

